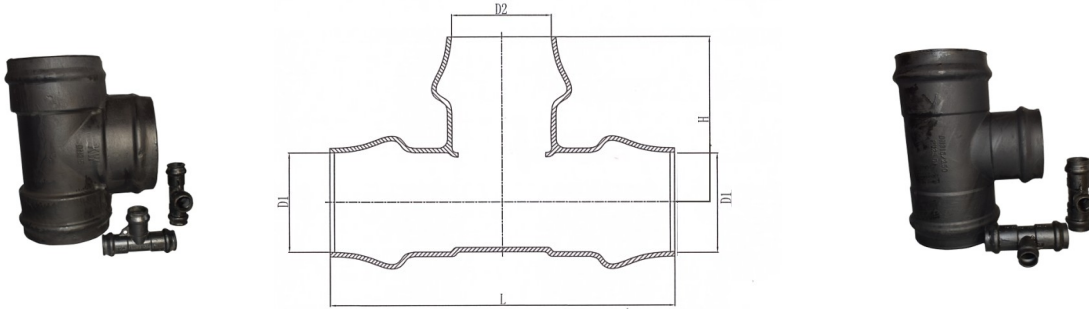


Ductile Iron Socketed Tee's for uPVC



Ductile iron bitumen coated. These fittings can be ordered with a fusion bonded epoxy coating

Dimensions (mm)

Item	D1	D2	L	H	Weight (Kg)
50/50	50	50	220	110	2,35
63/63	63	63	250	120	3,10
75/75	75	75	265	135	4,50
75/50	75	50	290	130	4,00
75/63	75	63	250	135	4,85
90/90	90	90	282	153	5,50
90/63	90	63	275	140	5,45
90/75	90	75	290	140	6,05
110/110	110	110	307	167	6,25
110/63	110	63	295	150	7,85
110/75	110	75	310	150	7,25
110/90	110	90	325	160	8,65
160/160	160	160	396	216	14,95
160/63	160	63	335	175	12,35
160/75	160	75	350	175	13,55
160/90	160	90	365	185	
160/110	160	110	385	195	16,25
200/200	200	200	476	257	20,15
200/90	200	90	420	205	18,80
200/110	200	110	440	215	24,30
200/160	200	160	490	235	26,10
250/250	250	250	546	293,5	32,70
250/110	250	110	495	240	30,70
250/160	250	160	545	260	31,85
250/200	250	200	570	270	32,90
315/315	315	315	645	344,5	55,10
315/160	315	160	595	295	47,75
315/200	315	200	620	305	48,35
315/250	315	250	670	325	60,50