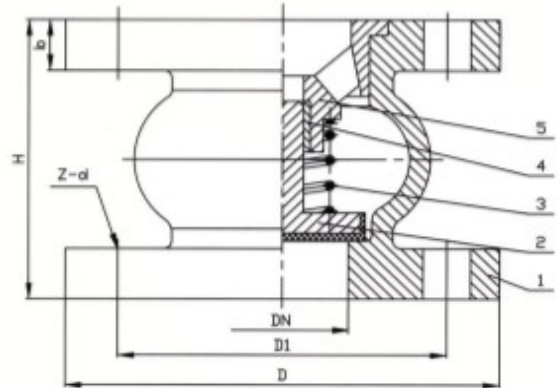


Ductile Iron Silent Check Valves



Model No. CV-003S



Valve operates in both horizontal and vertical position

Removable top seat allows easy maintenance of valve at site

Flange and drilling to BS4504 PN10/PN16, ANSI CL125, DIN2501 PN10/PN16

Tests: hydraulic test to BS6755 Part 1

Coating: fusion bonded epoxy coating internally and externally minimum 250 microns

Components :

No.	Name	Material
1	Body	Cast Iron, BS EN1561 EN-GJS-200
2	Disc	Cast Iron, BS EN1561 EN-GJS-200
3	Spring	Stainless Steel
4	Collar	Stainless Steel
5	Bonnet	Cast Iron, BS EN1561 EN-GJS-200

Dimensions (mm)

DN	H	D	D1	D2	b	f	Z-Φd	Weight Kg
50	100	165	125	102	19	3	4-Φ18	7
80	140	200	160	138	19	3	8-Φ18	13
100	170	220	180	158	19	3	8-Φ18	18
150	230	285	240	212	19	3	8-Φ22	28
200	300	340	295	268	20	3	12-Φ22	60
250	370	405	355	320	22	3	12-Φ26	92
300	410	460	410	378	24.5	4	12-Φ26	122