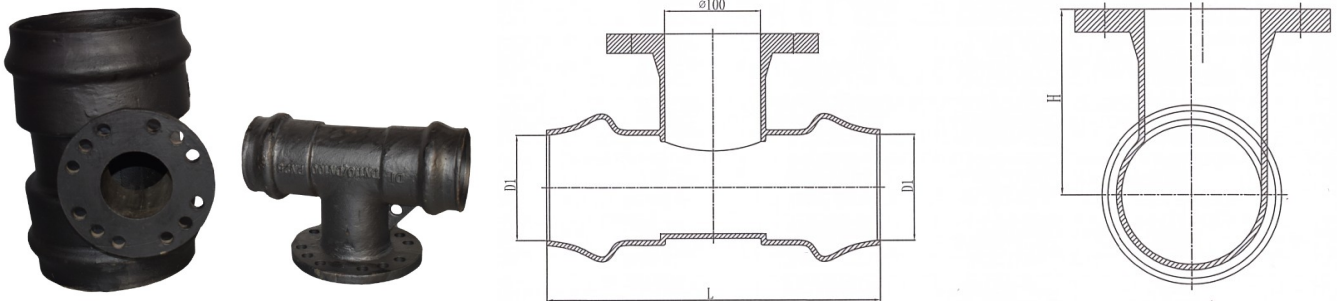


## Ductile Iron Scour Tee for uPVC

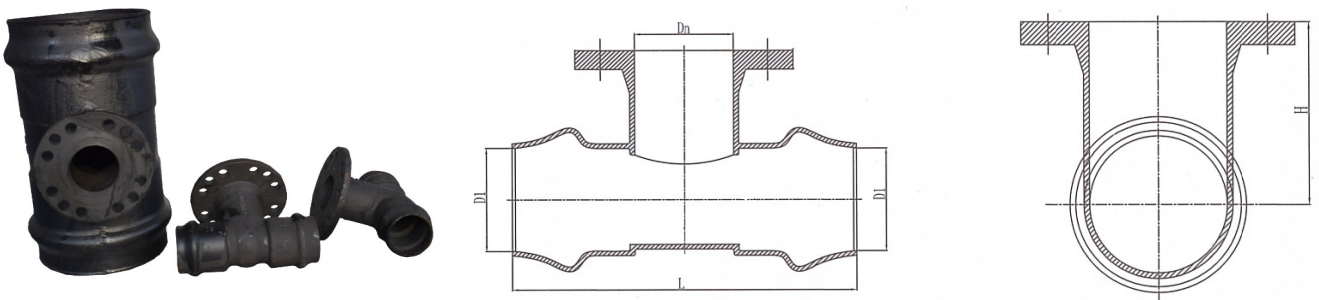


Ductile iron bitumen coated. These fittings can be ordered with a fusion bonded epoxy coating

### Dimensions (mm)

Item	Dn	D1	L	H	Weight (Kg)
110	100	110	345	170	12,6
160	100	160	385	205	17,65
200	100	200	392	197	19,15
250	100	250	412	222	24

## Ductile Iron Hydrant Tee for uPVC



Ductile iron bitumen coated. These fittings can be ordered with a fusion bonded epoxy coating

### Dimensions (mm)

Item	Dn	D1	L	H	Weight (Kg)
75	80	75	262	142	6
90	80	90	272	142	6,7
110	80	110	287	152	7,4
160	80	160	317	177	11,45
200	80	200	420	225	22,65
250	80	250	475	250	29,8
315 (New)	80	315	525	295	