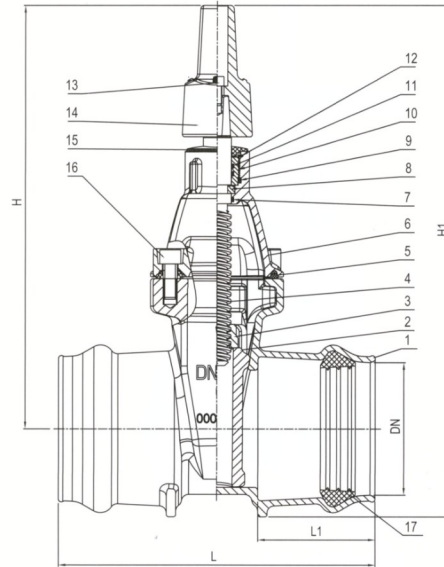


## Ductile Iron Resilient Seat Gate Valves SANS 664 For uPVC Pipe



Model No. CV-R201SE



### Components :

No.	Name	Material
1	Body	Ductile Iron, BS EN1563 EN--GJS-500-7
2	Wedge	DI core, fully vulcanized with EPDM or NBR
3	Wedge Nut	Forged Brass, BS EN12165 CW617N
4	Stem	Stainless Steel, BS EN10088-3
5	Bonnet Gasket	Rubber, EPDM
6	Bonnet	Ductile Iron, BS EN1563 EN--GJS-500-7
7	O-ring	Rubber, EPDM
8	Thrust Collar	Forged Brass, BS EN12165 CW617N
9	O-ring	Rubber, EPDM
10	Stem Seal Bush	Forged Brass, BS EN12165 CW617N
11	O-ring	Rubber, EPDM
12	Circlip	Stainless Steel
13	Cap Top Screw	Stainless Steel
14	Cap Top	Ductile Iron, BS EN1563 EN--GJS-500-7
15	Dust Cover	Rubber, NBR
16	Bonnet Bolts	Carbon Steel
17	Rubber Rings	Rubber, EPDM

Design to SABS664 PN16

Face to face dimension to SABS664 PN16

Tests: Hydraulic test to BS6755 part 1

Non-rising stem

Stem O-rings replaceable under pressure with valve in fully open position

Use: for potable water, sewage and neutral liquids to Max. 70°C

Coating: fusion bonded epoxy coating internally and externally minimum 250 microns

### Dimensions (mm)

DN	L	L1	H	H1 Captop	Weight Kg
40/50	225	80	274	310	6,8
50/63	225	82,5	274	320	7,3
65/75	245	87,5	289	343	8,7
80/90	249	92,5	314	376	9,6
100/110	275	100	360	415	12,5
150/160	325	115	435	536	26,5
200/200	355	128	530	653	44
250/250	409	140,5	635	785	67
300/315	473	170,5	720	904	84