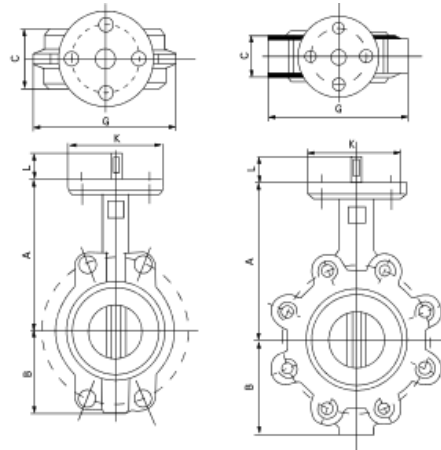


## Butterfly Valve Wafer Type PN16

UNI-FLO



### Description

Use for potable water & neutral liquids to max 120°C

Flange holes: DN40 – DN450 T10, T16 & TD  
DN500 – DN600 T10 & T16

DN50 – DN300 Lever operated (Gearbox optional)  
DN350 – DN600 Gearbox operated

### Components

No	Name	Material
1	Body	Ductile iron
2	Seat	EPDM
3	Disk	Chrome plated / 304 Stainless steel
4	Shaft	304 Stainless steel
5	Key	Carbon steel
6	O-Ring	Buna-M
7	Bushing	Lubricated bronze

### Dimensions (mm)

DN	A	B	C	K	L
50	161	80	42	90	30
65	175	90	44	90	30
80	181	95	46	90	30
100	200	114	52	90	30
125	213	127	54	90	30
150	226	139	56	90	30
200	260	175	60	90	32
250	292	203	68	125	32
300	337	242	76,5	125	32
350	370	270	76,5	140	45
400	400	300	86	197	51
450	422	320	102	197	51
500	480	360	128	197	64
600	562	420	151	210	70