

## ABOVE GROUND FIRE HYDRANT

Model No. CV-HY01S (Single Plug)

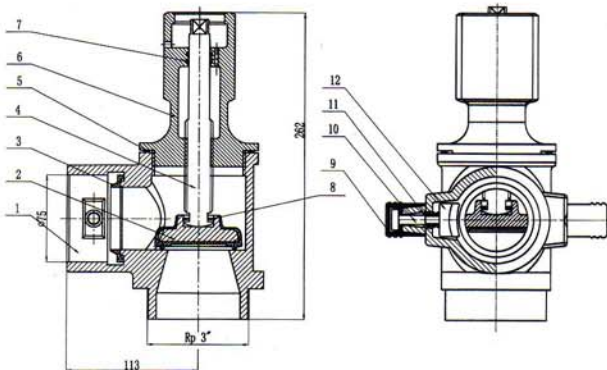
Model No. CV-HY01D (Double Plug)



### Components

No.	Name	Material
1	Body	Ductile iron BS EN 1563 EN-GJS-500-7
2	Disc	DI core vulcanized with NBR or EPDM
3	Connection Gasket	Ductile iron BS EN 1563 EN-GJS-500-7
4	Snap Ring	Stainless steel
5	Spindle	Stainless steel BS EN10088 No.1.4104
6	Bonnet Gasket	NBR or EPDM
7	Plug	Cast aluminium
8	Spring	Stainless steel
9	Bolt	Stainless steel
10	Cap	PE
11	Bonnet	Ductile iron BS EN 1563 EN-GJS-500-7
12	O-ring	NBR or EPDM

ModeNo.CV-HY01D  
Double Plug



ModeNo.CV-HY01S  
Single Plug

